

# Hold Cleaning machines for Bulk Carriers

Scanjet tank cleaning equipment



*Scanjet provides different solutions for the cleaning of holds onboard bulkcarriers. The advantages are as follows:*

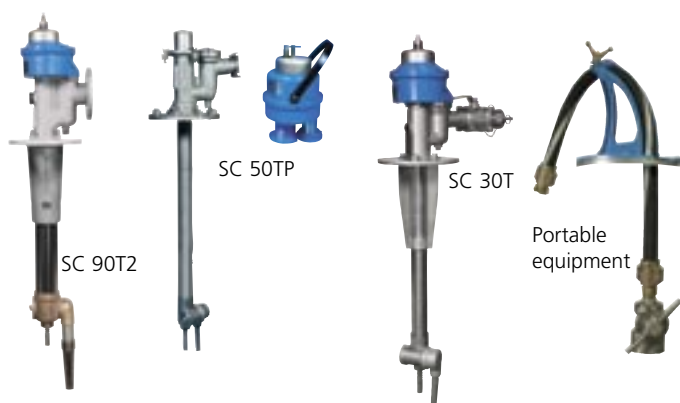
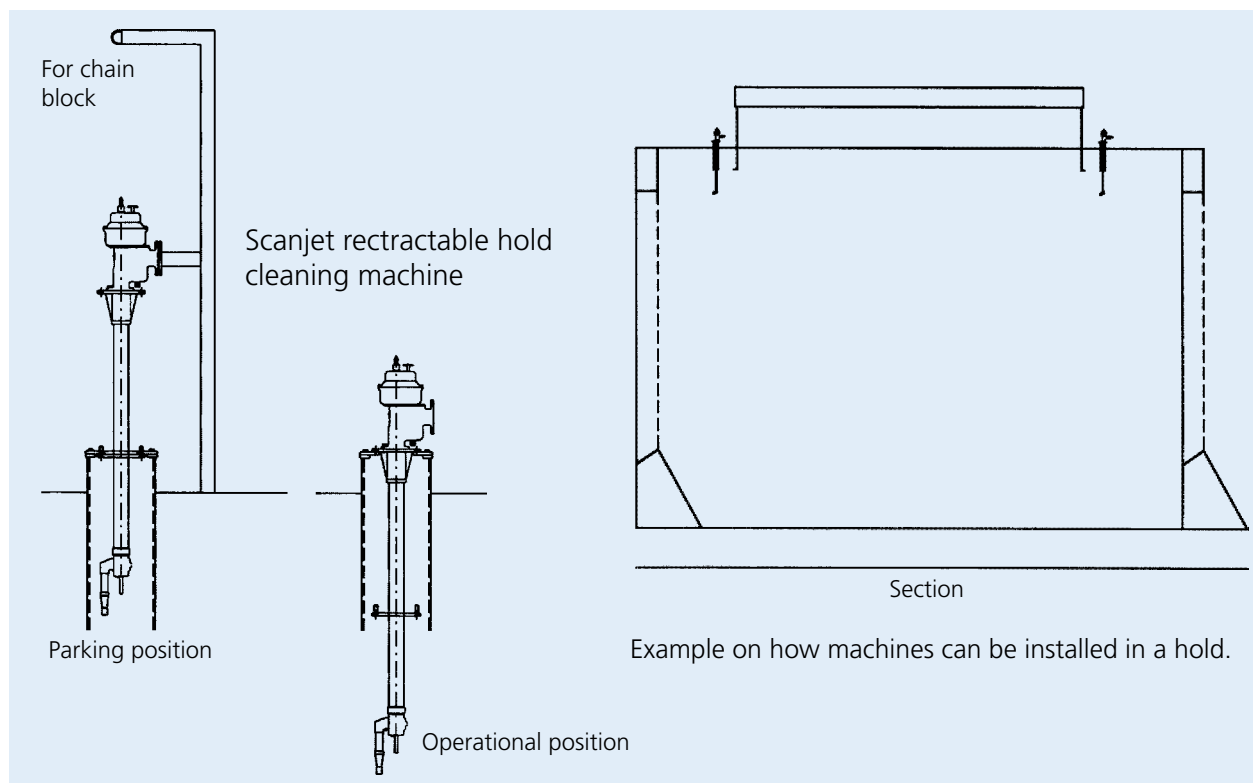
For bulk carriers frequently changing from one cargo to another, hold cleaning is an economical and rapid way to make the holds clean and ready for next cargo.

Scanjet hold cleaning machines assist in keeping the holds in good condition thus preventing early corrosion attacks. The machine is retractable so while loading cargo, the nozzle is protected in the pipe installed under deck. It can either be fixed installed or delivered in portable versions.

Just send us the plan or the hold layout of your vessel and we shall work out a professional installation proposal.

- Allows cleaning with closed hatches
- More frequent and economical cleaning due to shorter cleaning periods
- Cleaning operations is controlled from deck, no manpower needed in the tank
- Improved corrosion protection
- Improved safety

## Bulk carrier installation



Portable version of fixed hold cleaning machine

For more information about the machines for bulk carrier installation, SC 90T2, SC 50TP and portable equipment, please refer to separate brochures.

Vessels drawings required for technical evaluation:  
 A: General arrangement  
 B: Midship section



Hold cleaning process in bulk carrier



Scanjet Inc.  
 15200 Middlebrook Drive  
 Suite E  
 Houston, TX 77058

Phone: 281.480.4041  
 Fax: 713.513.5883  
 E-mail: sales@scanjetinc.com  
 Web: www.scanjetinc.com

