

SC 40RT

external drive tank cleaning machine
turbine drive with magnetic transmission

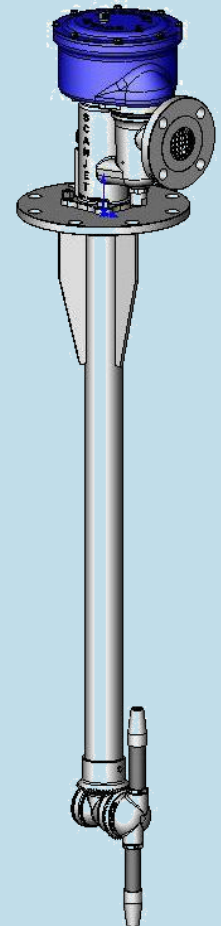


Key Features SC 40RT

- Magnetic drive
- Rugged construction
- External drive
- Easy maintenance
- High jet impact
- Easy installation
- Adjustable turbine
- 316 stainless steel



SC 40RT



Product Summary:

The SC 40RT is a dual or four nozzle externally turbine driven automated tank cleaning machine constructed of 316 stainless steel and other highly corrosion resistant materials.

The SC 40RT employs a patented magnetic drive transmission thus reducing the need for costly seal replacements and potential failures when used in hazardous environments. As the drive mechanism and other major components are external to the tank, this results in easy maintenance and a high level of safety when the cleaning of hazardous products are required.

The SC 40RT is a very rugged and durable tank cleaning machine; designed for demanding cleaning applications where reliability and long service intervals are required.

Quality Control, Compliances & Certifications

The SC 40RT is produced in accordance with ISO 9001 Quality Standards and our certificate of conformity and accreditation is available on request. Additionally, the SC 40RT conforms to United States ASME standards for construction, DNV, Lloyds and others... certificates where applicable available upon request.

General Specifications...

Flow Range.....	0-285 USGPM (0-65 m ³ /h)
Inlet Pressure Range.....	0-300 PSIG (0-20.689 BAR)
Nominal Operating Pressure.....	100-150 PSIG (6.8 to 10.3 BAR)
Maximum Temperature (Operational).....	203° F (95° C)
Maximum Temperature (Static).....	252°F (122°C)
Lengths.....	1.6-50 feet (0.5 - 15 meters)
Weight	95.04 lbs. (43.2 kg) @ 60" or 1.5 meters
Per additional meter (3.2808').....	20.2 lbs (10 kg)
Mounting Flange (Standard)	6.00" ANSI 150# FF
	PN16 DIN150
Inlet Connection (Standard)	2.00" ANSI 150# FF
	PN16 DN50
Materials in contact with fluid.....	AISI 316; PTFE; other corrosion resistant materials
Lubrication.....	Cleaning media; sealed gearbox

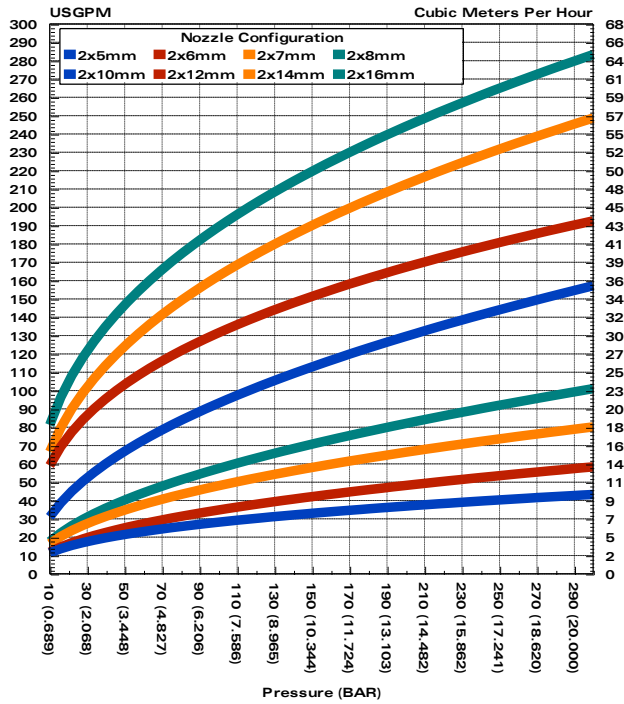
Customization available on request.

1028.2009.02.18

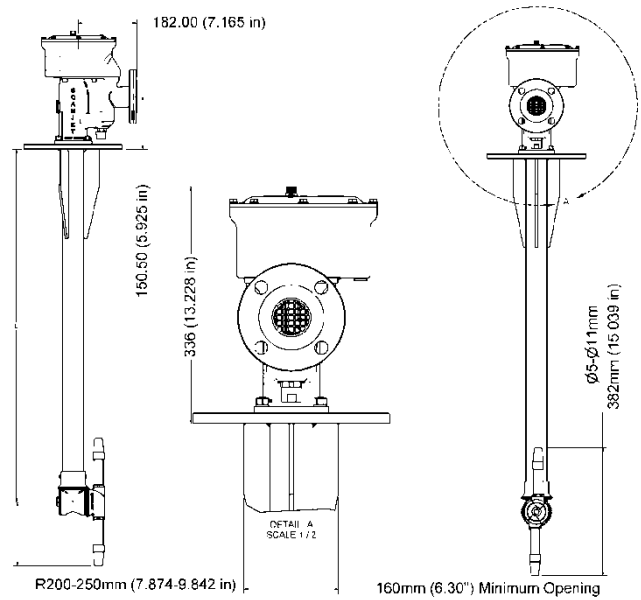
SC 40RT

external drive tank cleaning machine
turbine drive with magnetic transmission

Pressure & Flow



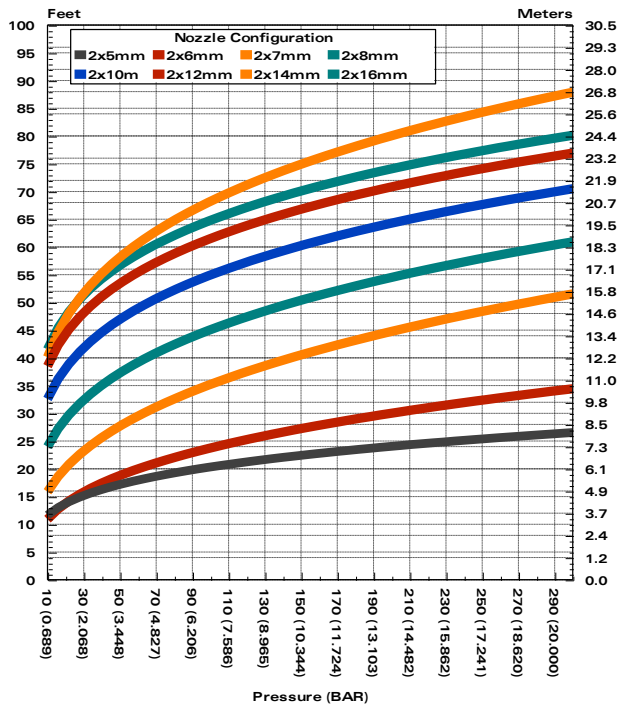
General Dimensions



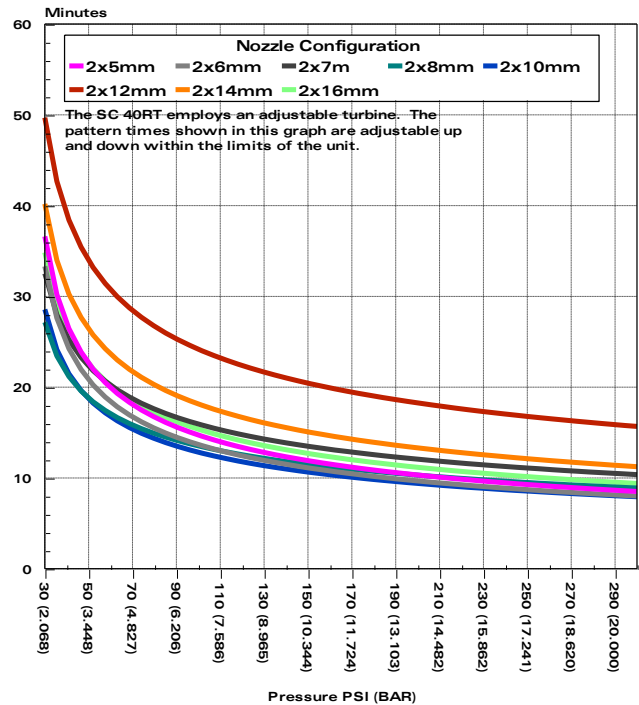
Standard Flanges:

Mounting : 6.00" ANSI 150# FF
Inlet : 2.00" ANSI 150# FF
Others on request

Jet Length



Cycle Times



1028.2009.02.18



Scanjet Systems, Inc.
15200 Middlebrook Drive; Suite E
Houston, Texas 77058 - USA
Phone: 281.480.4041
Fax: 713.513.5883
Website: www.scanjetinc.com
Email: sales@scanjetinc.com

