

Bio 5

Scanjet tank cleaning equipment



Product summary

Bio 5 is a rotating spray nozzle/head that is driven by the cleaning fluid and is a very effective CIP alternative compared to traditional static spray balls. The fan like cleaning action provides improved coverage at low pressure whilst reducing the usage of cleaning media to a minimum.

Quality Control, Compliances & Certifications

Bio 5 is manufactured in AISI 316/316L and can be polished according to specification. The standard documentation includes a "Declaration of Conformity" and 3.1.B certificates can also be quoted on request.

Typical applications for the Bio 5:

- IBC's
- Small yeast tanks
- Milk transportation
- Large barrels
- Large ducting

KEY FEATURES

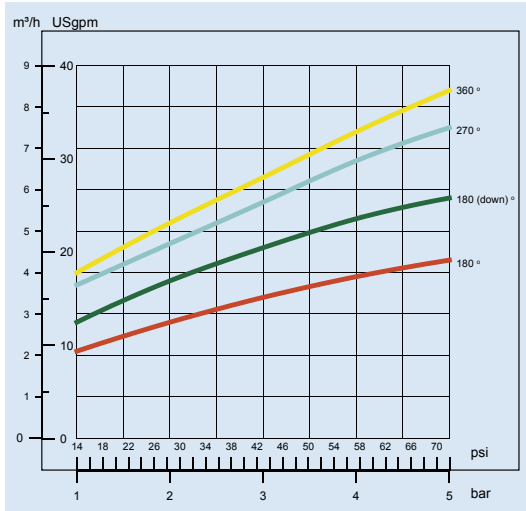
Bio 5

- Rotating spray
- 360 degree spiral cleaning
- Ideal for mid size tanks
- Low pressure

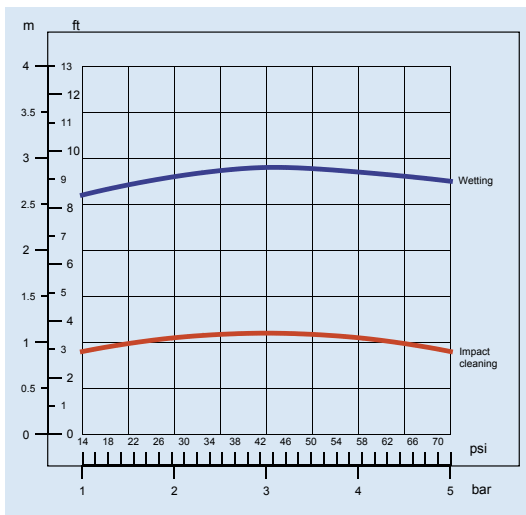
Bio 5



Technical performance

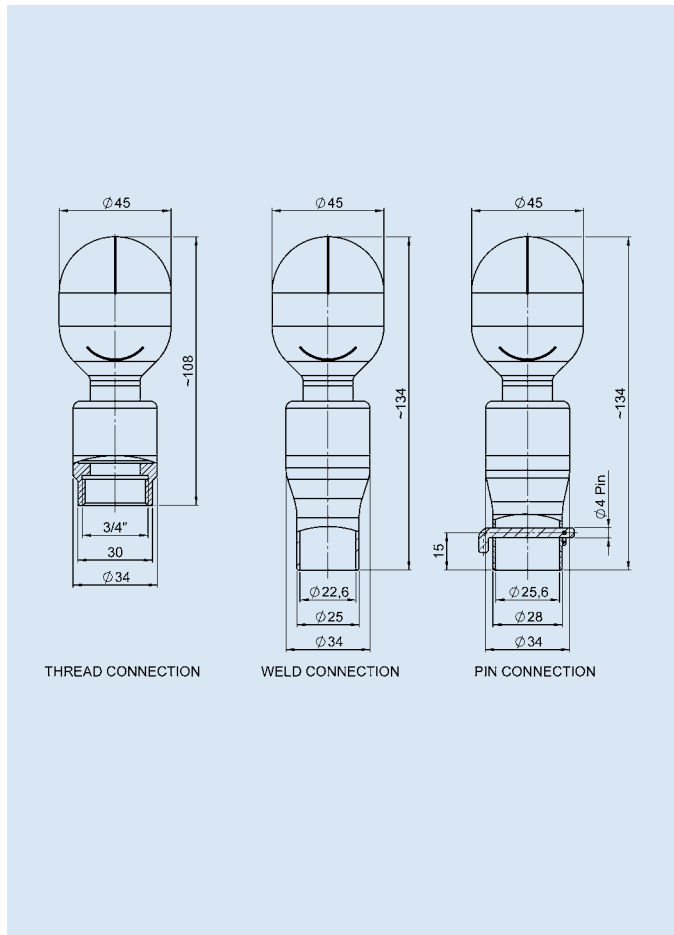


Pressure/Flow

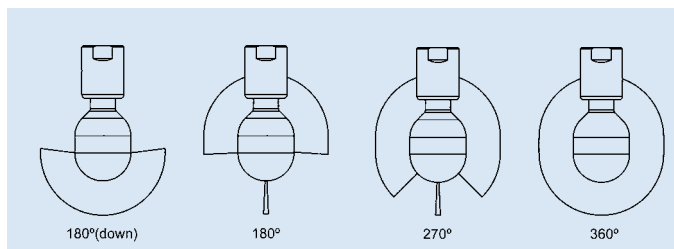


Cleaning radius

Dimensions



Spray pattern



Specifications

Flow	2,1-8,4 m³/h
Inlet pressure	1-5 bar
Max pressure	5 bar
Recommended pressure	3 bar
Max working temperature	95°C
Max ambient temperature	140°C
Weight	280 g
Connections	3/4" BSP or NPT, weld-on or pin
Material	Balls in AISI 316, all other parts in AISI 316L
Lubrication	Cleaning media



Scanjet Systems, Inc.
15200 Middlebrook Drive; Suite E
Houston, Texas 77058 - USA
Phone 281.480.4041
Fax 713.513.5883
E-mail sales@scanjetinc.com
Web www.scanjetinc.com