

The UBA Machine is designed to distribute cleaning media in tanks ranging in size from 24 to 32 feet in diameter/width (7.3 to 9.8 meters). The UBA is a single axis rotary spray ball that projects a predetermined spray pattern within a given tank geometry. The rotation of the spray ball is controlled mechanically to avoid over rotation... which would result in reduction of spray radius and impact values of the media. The required wetting intensity should be properly reviewed before final selection of the device.

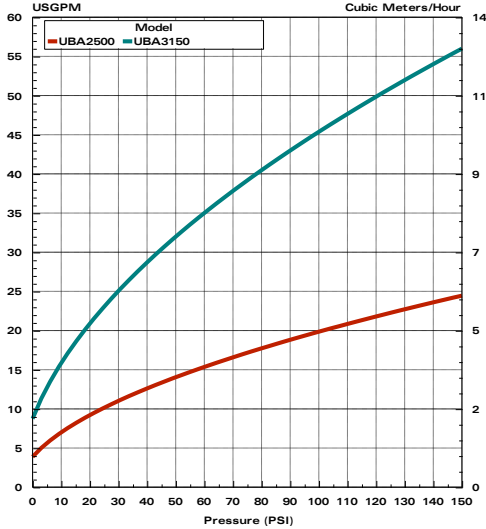
Model No.	Inlet Connection	Spray Pattern
UBA2500B31SN	.750" NPT(F)	360°
UBA2500B31GN	.750" NPT(F)	270° Down
UBA3150B31SN	1.50" NPT(F)	360°

Application benefits

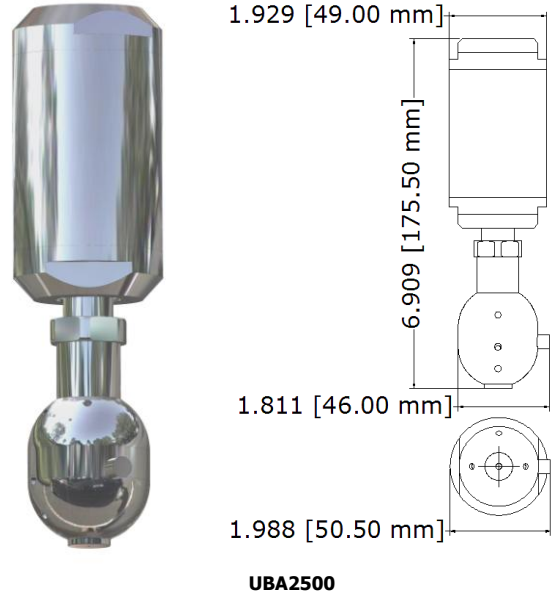
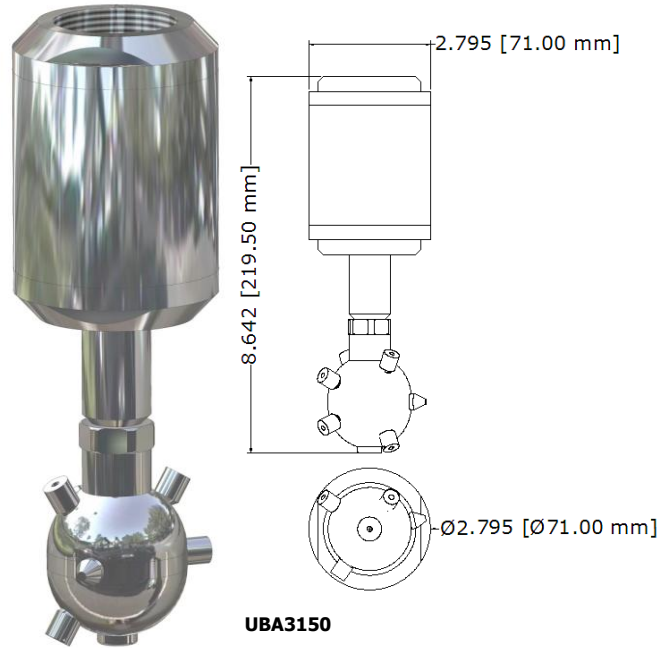
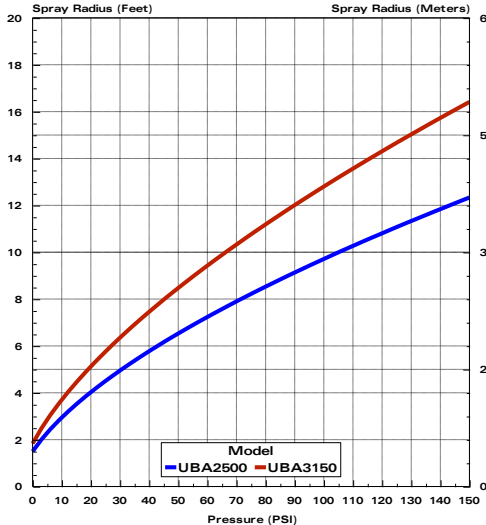
- Increased cleaning radius over non-controllable rotating spray balls
- Lower cost compared to RJH (Rotating Jet-Head cleaning devices)
- Minimal maintenance requirements

Performance Curves

Pressure/Flow



Spray Radius



General Specifications:

- Materials of Construction:
 - 316L Stainless Steel
 - PTFE
 - Other materials on request.*
- Temperature:
 - 300°F(149°C) Static and Operational
- Maximum Pressure
 - 300 PSIG (20.7 Bar)
- Weight
 - UBA2500 : 2.1lbs (.95 kg)
 - UBA3150 : 5.3 lbs (2.5 kg)